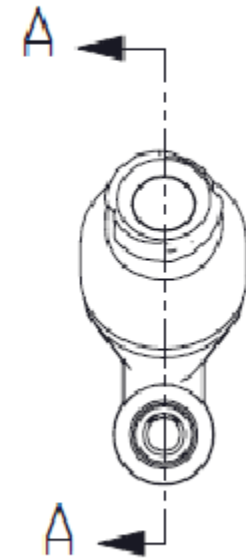
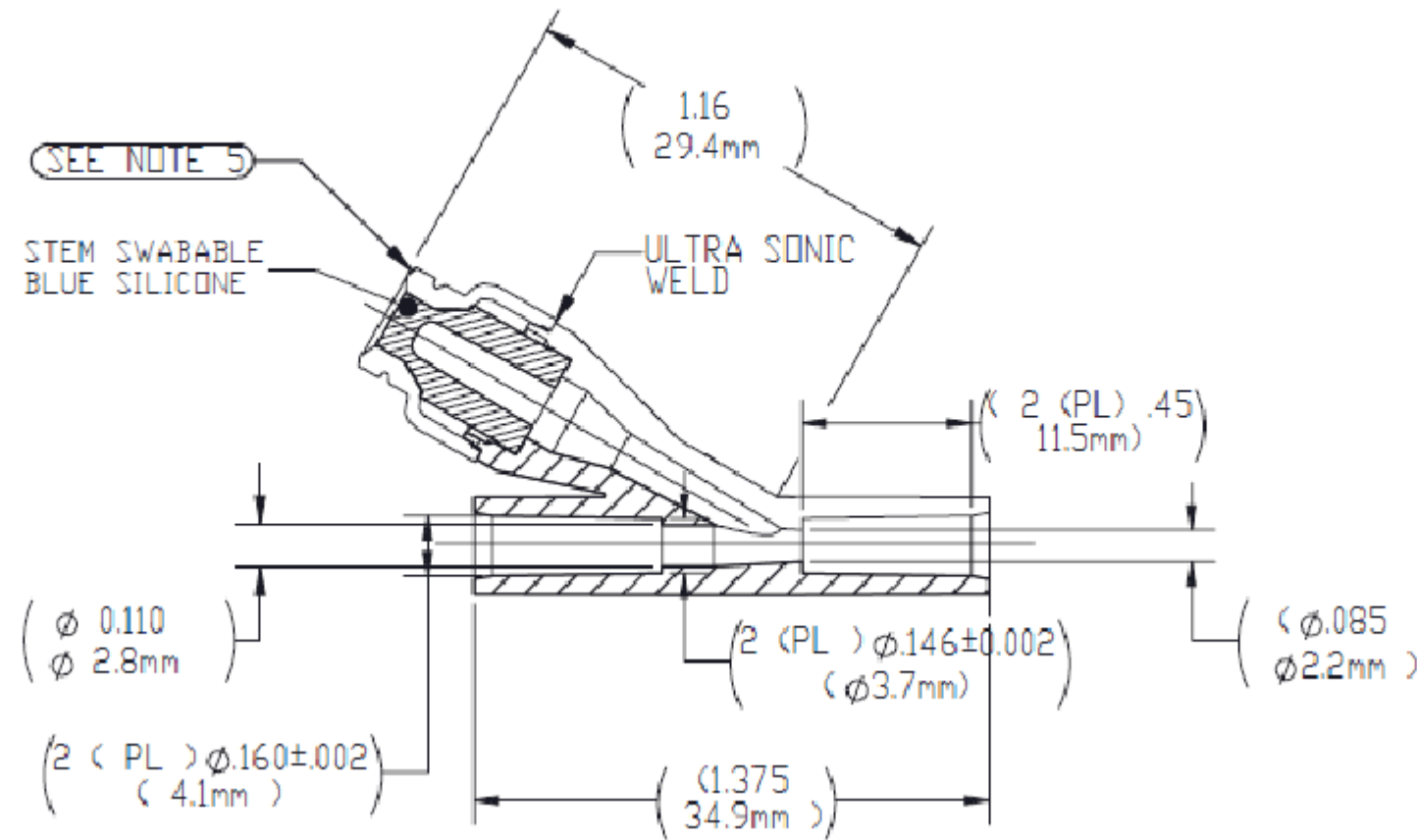


NOTES: FOR ADDITIONAL DETAILS, PLEASE CONTACT VP CUSTOMER SERVICE
 DIMENSIONS MARKED ARE CONTROL DIMENSIONS

REVISIONS			
REV.	DESCRIPTION	DATE	APPROVED
A	INITIAL RELEASE	01-08-14	S.N.R



NOTES:

1. CLEAR COPOLYESTER
2. CRITICAL DIMENSIONS ARE CIRCLED AND SUBJECT TO INSPECTION.
3. DIMENSIONS IN PARENTHESES ARE REFERENCE ONLY.
4. ALL DIMENSIONS ARE IN INCHES WITH THE NOMINAL DIMENSIONS IN MILLIMETERS BELOW.
5. LUER COMPATIBLE WITH ISO594-2.

VALVE SPECIFICATION:

PRIMING VOLUME: 0.19 ML (FOR ENTIRE CONNECTOR)
 BACK PRESSURE: > 30 PSI, REF. (2.1 BAR). (40 PSI NOMINAL)
 FLOW RATE: 360 ML/ MIN. (21,000 ML/HR) @ 1 PSI, (0.07 BAR) (30 INCHES HEAD HEIGHT).
 BIOCOMPATABILITY: PASSES ISO 10993, PART 1.
 MATERIALS: ALL MATERIALS ARE GAMMA RESISTANT, MEET USP CLASS VI; ARE DEHP, AND LATEX FREE.
 POTENTIAL STERILIZATION: ETO; AND GAMMA, BASED ON RAW MATERIAL SPECIFICATIONS.

UNLESS OTHERWISE SPECIFIED DIMENSIONS ARE IN INCHES TOLERANCES ARE:		VALUE PLASTICS, INC			
FRACTIONS ±	DECIMAL .XX ±.01 .XXX ±.005 .XXXX ±.001	ANGULAR ± 1°	PART NUMBER: NVFY401CP		
DO NOT SCALE DRAWING		DESCRIPTION: "Y" Connector Swabable, Clear Copolyester			
DRAWN BY: Jonathan Mayer	DATE: 1/8/2014	SIZE: B	SCALE: NTS	VER:	DWG. NO. 1027668
MANAGER: Ravi Narayanan		© 2011 VALUE PLASTICS, INC			REV A
SHEET:				1 OF 1	

FOR REFERENCE ONLY